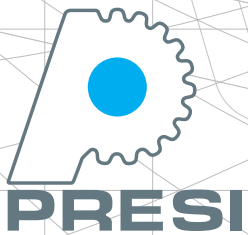


MECATOME T335



CUTTING

MECATOME T335
Ref. 50380



MECATOME T335

MANUAL AND AUTOMATIC CUTTING MACHINE

Powerful and precise, the MECATOME T335 is an automatic cutting machine on its longitudinal axis and manual on its vertical axis. Its rotation speeds ranging from 1000 to 6000 RPM allow the use of metallic discs as well as resinoids. The MECATOME T335 offers the best of both worlds with the possibility of performing regulated or impulse cuts while maintaining the ease of manual cutting.

Robustness

- Mechanically welded steel cover and PETG protective glass
- Stainless steel cutting chamber
- Epoxy paint

Safety

- Two-hand control
- Braked stopping of the cut-off wheel
- Mechanical locking of the hood during operation
- Zero speed control before unlocking
- Emergency stop button
- CE marking

Intuitive control

- Programmable color touch screen
- Visualization of motor load
- Calculation of anti-rust concentration adjustment
- 2-axis joystick with 2 programmable control buttons

55L filtration tank

- Double filtration system: mechanical & magnetic (optional)





Working comfort & power

- Blocking of the shaft for wheel change
- Tool-less cut-off wheel change
- Motorized Y cutting axis
- Motorization of the positioning axis X (optional)
- Automatic clamping of the cutting arm at all positions
- Clamping table with interchangeable stainless steel pallets
- Ergonomic arm and handle
- Light integrated into the hood:
 - Anti-glare
 - Optimal lighting of the working area
- Guided evacuation system for residual drops
- Cleaning gun and guided evacuation system for cutting residues by flow of lubricant



Lubrication close to the cut area

- Wheel guard including 2 lubrication points
- 2 adjustable lubrication points

Stability

- Adjustable, anti-vibration feet

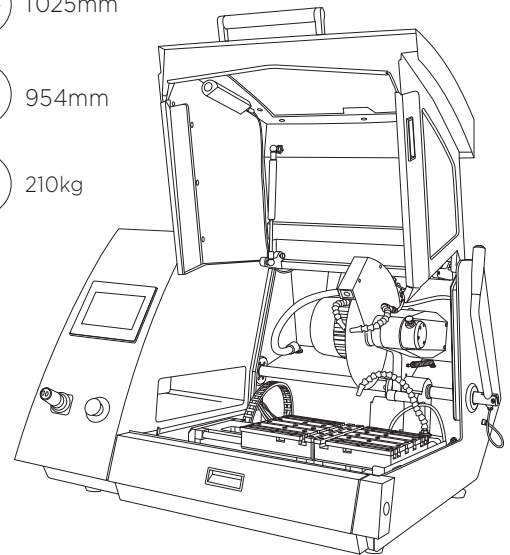
MECATOME T335

680mm closed lid
1180mm open lid

1025mm

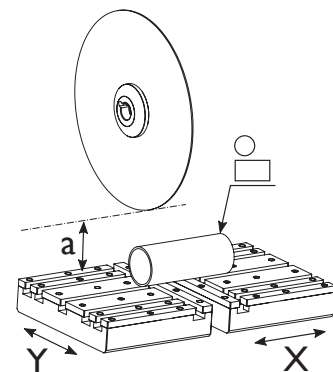
954mm

210kg



CUTTING ENVELOPE*

- Ⓢ = 240mm
- Ⓧ = Option: 100mm
- ⓐ = 80mm (cut-off wheel Ø300mm)
- Ⓞ = Ø105mm
- Ⓜ = 105 x 145mm



* This illustration of the cutting envelope is to show the maximum theoretical capacity only. The actual capacity may be increased, depending on sample material, cutting frequency and selected flanges.

CUTTING METHODS

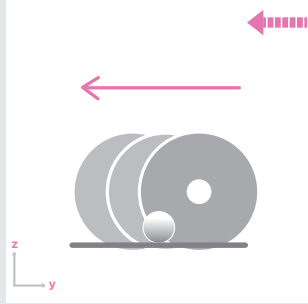
Driven in assisted mode, programmable automatic mode or even manual mode, the MECATOME T335 is suitable for developing cutting methods as well as for use according to pre-established protocols. With an optional motorized X-axis table, the MECATOME T335 allows you to position the parts precisely and to achieve serial cuts. The motorized cutting Y-axis allows you to automate your cuts and the manual cutting Z-axis is perfectly suited for simple routine cutting.

ASSISTED MODE



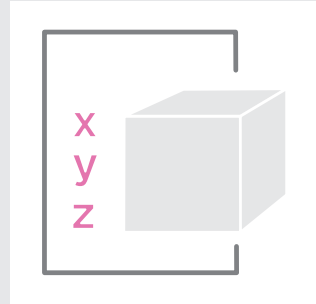
In this mode, the user directly controls the table feed using the joystick and defines the maximum speed and the regulation if necessary. This is an effortless manual cut.

PULSE MODE Y



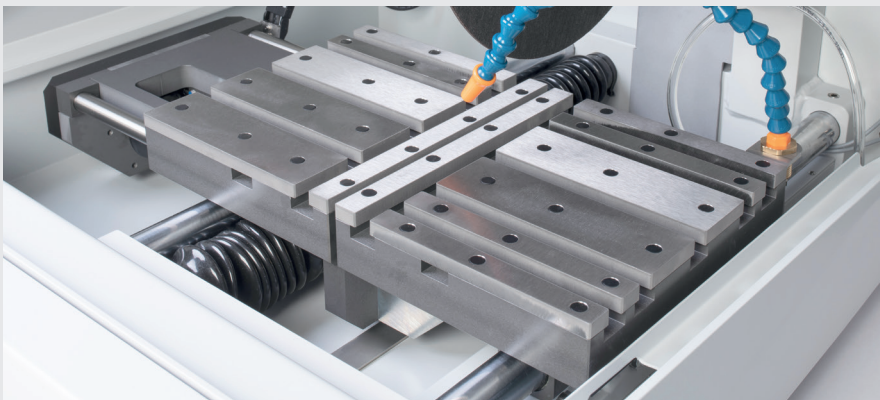
Cutting mode where the wheel advances intermittently along the Y axis. Dedicated to difficult materials or massive parts, this mode allows gradual release of the constraints and limits temperature peaks.

EXPERT MODE



Operating mode that transforms your machine into a numerical control center, dedicated to cutting. This mode is compatible with the program mode.

OPTIONS



TRANSVERSAL TABLE WITH MOTORIZED MOVEMENT

**Travel distance 100mm;
1/100th precision**

- Position the parts
 - Carry out serial cuts
- Ref. 50381



MAGNETIC FILTER

For 55L tank
Ref. 50222



POSITIONING LASER

Visualize the cutting line
Ref. 50382



SUCTION & EXTRACTION

Mist extraction with fluid recovery
Ref. 51273

CHARACTERISTICS MEGATOME T335

HOOD

Type	Metal Frame & PETG Stainless steel cutting chamber
Safety	Two-hand control for table positioning, when hood open Mechanical locking of the hood during cutting Braked stopping of the cut-off wheel Zero speed check before unlocking the hood
Fumes extraction	Option: mist extraction with fluid recovery

MOTORISATION - POWER SUPPLY

Power	3700W
Motor	Asynchronous motor controlled by frequency inverter
Power supply	400V - Three-phase - 50/60Hz

CUT-OFF WHEEL

Kind of the cut-off wheel	Resinoid & Metallic
Size of the cut-off wheel	from Ø250 à Ø300mm
Rotation speed	1000 à 6000 RPM
Arbor size	25,4mm

CONTROL

Control interface	Touchscreen 2-dimensional joystick with 2 shortcut buttons
Security access	Can be activated
Programmability	Up to 100 programs, password protected

CUTTING

Operating mode	Manual, Assisted, Automatic, Program Mode
Cutting modes	Regulated, Pulse Cutting
table automation	Y-axis movement
Cutting control	Feeding Regulation
Cutting axis	Motorized Y-axis and Manual Z-axis (The X axis being a positioning axis)
Y axis travel	240mm
Y axis speed	from 0,01 to 3mm/s
Z axis travel	60 mm
Z axis speed	from 0,01 to 3mm/s
Serial cutting	Option: motorized x-axis table, travel distance 100mm
Table dimensions	Left table: 192 x 230mm Right table: 192 x 230mm
Distance between cut-off wheel and table	77,5mm (with Ø 300mm cut-off wheel)
Positioning laser	Option: Laser Class 1M; Po = 1mW; l = 635nm
Table type	Treated aluminum table, interchangeable stainless steel pallets
Holders	T-slotted table (12mm) accepting all commercial clamping systems

LUBRICATION - COOLING

Type of lubrication	By pump, flow rate 70L/min
Recirculation tank	External - Capacity 55L
Type of filtration	Washable 100µm cloth filter, optional magnetic filter
Method of directing pumped coolant	2 lubrication points integrated in cut-off wheel guard 2 orientable lubrication points

ERGONOMICS

Internal lighting	LED lighting integrated into the hood (IP 68)
Spray nozzle for cleaning	Integrated
Cutting disc change	Tool-less cut-off wheel changing system
No-load sound level	< 70 dB

ACCESSORIES

STAINLESS STEEL VICES & CLAMPING SYSTEM



Left quick clamping vice
45mm height removable
jaw + rear jaw
Ref. 50236



Right quick clamping vice
45mm height removable
jaw + rear jaw
Ref. 50235



Kopal clamp
Ref. 50616
Kopal kit
Ref. 50613

TABLES & POSITIONING



Manual transversal table
Ref. 50244

OTHER ACCESSORIES



Kit of v positioning supports
Ref. 50370



Base cabinet for automatic
cutting machine
(large model)
Ref. 51470



Analogical refractometer
BRIX 0-10
Measure the concentration
of the anti-rust coolant
Ref. 19074

CONSUMABLES

RESINOID CUT-OFF WHEELS

	REF.	ABRASIVE	Ø
Ferrous materials			
S	01016	Al ₂ O ₃	Ø 250 x 1,6 x 32mm
	01022	Al ₂ O ₃	Ø 300 x 2 x 32mm
AO	01014	Al ₂ O ₃	Ø 250 x 1,6 x 32mm
	01020	Al ₂ O ₃	Ø 300 x 2 x 32mm
A	01015	Al ₂ O ₃	Ø 250 x 1,6 x 32mm
	01021	Al ₂ O ₃	Ø 300 x 2 x 32mm
AOF II	01012*	Al ₂ O ₃	Ø 250 x 0,8 x 32mm
	01013	Al ₂ O ₃	Ø 250 x 0,8 x 32mm
	01019	Al ₂ O ₃	Ø 300 x 1 x 32mm
Non-ferrous materials			
MNF	01017	SiC	Ø 250 x 1,6 x 32mm
	01023	SiC	Ø 300 x 2 x 32mm
T	01071	SiC	Ø 250 x 1,6 x 32mm
	01072	SiC	Ø 300 x 2 x 32mm
F	01018	SiC	Ø 250 x 1,6 x 32mm
	01024	SiC	Ø 300 x 2 x 32mm

* Cut-off wheel "S".

METALLIC CUT-OFF WHEELS

	REF.	Ø
Hard ferrous materials		
CBN	02043	Ø 250 x 1,2 x 32mm
	02047	Ø 300 x 1,2 x 32mm
Ceramic & non-ferrous materials		
DIAMOND LR	02045	Ø 250 x 1,2 x 32mm
	02049	Ø 300 x 1,2 x 32mm
DIAMOND LM	02042	Ø 250 x 1,2 x 32mm
	02046	Ø 300 x 1,4 x 32mm
DIAMOND LM+	02044	Ø 250 x 1,2 x 32mm
	02048	Ø 300 x 1,4 x 32mm
Composit & plastic materials		
DIAMOND ELD	02105	Ø 250 x 1,8 x 25,4mm
	02106	Ø 300 x 1,8 x 25,4mm

REDUCTION RINGS*

REF.	DESIGNATION	Ø
Pack of 20		
01089	Reduction ring	32/25,4 mm x 2mm
01092	Reduction ring	32/25,4 mm x 3mm

* Other diameters on request.

ANTIRUST COOLANT

REF.	DESIGNATION
01025	1L bottle
01090	5L drum
01026	10L drum

ANTIFOAM AGENT

REF.	DESIGNATION
01094	1L bottle
01095	5L drum
01096	10L drum

ANTISEPTIC LIQUID

REF.	DESIGNATION
01093	500CC bottle
01097	1L bottle
01098	5L drum