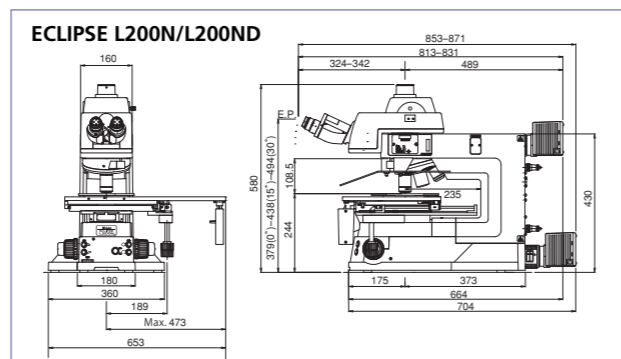
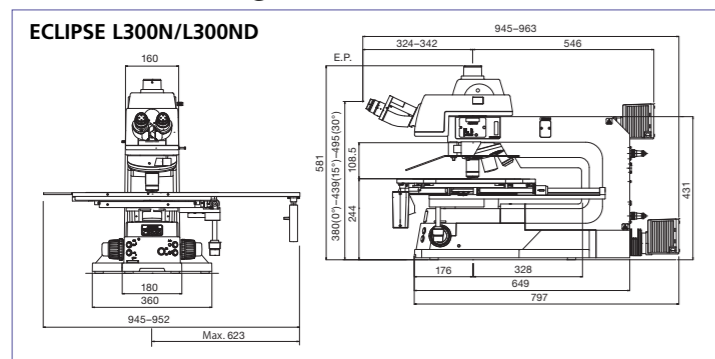


Specifications ECLIPSE L300N/L300ND/L200N/L200ND

	ECLIPSE L300N (Episcopic illumination type)	ECLIPSE L300ND (Diascopic/Episcopic illumination type)	ECLIPSE L200N (Episcopic illumination type)	ECLIPSE L200ND (Diascopic/Episcopic illumination type)
Main body	12V-50W halogen lamp light source built in; Power sources for motorized control built in Motorized control for nosepiece, Light intensity control, Aperture diaphragm control		Nosepiece: Motorized universal sextuple nosepiece with nosepiece centering function	
	Epi/Dia changeover		Epi/Dia changeover	
Focusing mechanism	Cross travel: 29 mm Coarse: 12.7 mm per rotation (torque adjustable, refocusing mechanism provided) Fine: 0.1 mm per rotation (in 1 μm increments)			
Episcopic illuminator	12V-50W halogen lamp light source built in Motorized aperture diaphragm (centerable), Fixed field diaphragm (with focus target) Pinhole slider (optional), Four ø25 mm filters (NCB11, ND16, ND4), Polarizer and Analyzer can be mounted Observation methods: Brightfield, Darkfield, Simple polarizing, DIC, Epi-fluorescence* * L300N/L300ND/L200ND only			
Diascopic illuminator	12V-50W halogen lamp light source built in Aperture diaphragm built in LWD condenser built in		12V-50W halogen lamp light source built in Aperture diaphragm built in LWD condenser built in	
Interface	USB x 1, RS232C (for Intensilight) x 1			
Eyepiece tubes	L2-TT2A Ultrawidefield erect-image tilting trinocular eyepiece tube (tilt angle: 0-30 °) FOV: 22/25; Beamsplit ratio 100:0/20:80 L2-TTA Ultrawidefield erect-image tilting trinocular eyepiece tube (tilt angle: 0-30 °) FOV: 22/25; Beamsplit ratio 100:0/0:100 LV-T13 Trinocular eyepiece tube (erect image) FOV: 22/25; Beamsplit ratio 100:0/0:100			
Eyepieces	CFI eyepiece lens series			
Objectives	CFI LU/L Plan series			
Stages	14 x 12 stage, stroke: 354 x 302 mm (Diascopic observation range: 354 x 268 mm) Coarse/Fine-movement changeover possible Fixed-position X-Y fine-movement controls		L2-S8A 8 x 8 stage, stroke: 205 x 205 mm (Diascopic observation range: 150 x 150 mm) Coarse/Fine-movement changeover possible Fixed-position X-Y fine-movement controls	
Antistatic mechanism	1000-10 V, within 0.2 sec			
Power consumption	1.2 A/90 W		1.2 A/90 W	
Dimensions	Approx. 360 (W) x 951 (D) x 581 (H) mm (at tilt angle 10 °)		Approx. 360 (W) x 860 (D) x 580 (H) mm (at tilt angle 10 °)	
Weight	Approx. 40 kg (Body only) Approx. 64 kg (When L2-S8A 8 x 8 stage and L2-TTA eyepiece tube are used)		Approx. 30 kg (Body only) Approx. 45 kg (When L2-S8A 8 x 8 stage and L2-TTA eyepiece tube are used)	

Dimensional diagrams Unit: mm



WARNING TO ENSURE CORRECT USAGE, READ THE CORRESPONDING MANUALS CAREFULLY BEFORE USING YOUR EQUIPMENT.

Specifications and equipment are subject to change without any notice or obligation on the part of the manufacturer. June 2010 ©2010 NIKON CORPORATION



NIKON CORPORATION

Shin-Yurakuchou Bldg., 12-1, Yurakucho 1-choume, Chiyoda-ku, Tokyo 100-8331, Japan
phone: +81-3-3216-2384 fax: +81-3-3216-2388
<http://nikon.com/products/instruments/>



ISO 9001 Certified
NIKON CORPORATION
Instruments Company

ISO 14001 Certified
NIKON CORPORATION

NIKON INSTRUMENTS INC.

1300 Walt Whitman Road, Melville, N.Y. 11747-3064, U.S.A.
phone: +1-631-547-8500; +1-800-52-NIKON (within the U.S.A. only)
fax: +1-631-547-0306

<http://www.nikoninstruments.com/>

NIKON METROLOGY, INC.

12701 Grand River Avenue, Brighton, MI 48116 U.S.A.
phone: +1-810-220-4360 fax: +1-810-220-4300

E-mail: sales_us@nikonmetrology.com

<http://us.nikonmetrology.com/>

<http://www.nikoninstruments.com/>

NIKON METROLOGY EUROPE NV

Geldenaaksebaan 329, 3001 Leuven, Belgium
phone: +32-16-74-01-00 fax: +32-16-74-01-03

E-mail: sales_europe@nikonmetrology.com

<http://www.nikonmetrology.com/>

NIKON INSTRUMENTS (SHANGHAI) CO., LTD.

CHINA phone: +86-21-5836-0050 fax: +86-21-5836-0030
(Beijing branch) phone: +86-10-5869-2255 fax: +86-10-5869-2277
(Guangzhou branch) phone: +86-20-3882-0552 fax: +86-20-3882-0580

NIKON SINGAPORE PTE LTD

SINGAPORE phone: +65-6559-3618 fax: +65-6559-3668

NIKON MALAYSIA SDN. BHD.

MALAYSIA phone: +60-3-7809-3688 fax: +60-3-7809-3633

NIKON INSTRUMENTS KOREA CO., LTD.

KOREA phone: +82-2-2186-8410 fax: +82-2-555-4415

NIKON CANADA INC.

CANADA phone: +1-905-602-9676 fax: +1-905-602-9953

NIKON METROLOGY SARL

FRANCE phone: +33-1-60-86-09-76 fax: +33-1-60-86-57-35

E-mail: sales_france@nikonmetrology.com

NIKON METROLOGY GMBH

GERMANY phone: +49-6023-91733-0 fax: +49-6023-91733-19

E-mail: sales_germany@nikonmetrology.com

NIKON INSTRUMENTS S.p.A.

ITALY phone: +39-055-300-96-01 fax: +39-055-30-09-93

NIKON AG

SWITZERLAND phone: +41-43-277-28-67 fax: +41-43-277-28-61

NIKON METROLOGY UK LTD.

UNITED KINGDOM phone: +44-1332-811-349 fax: +44-1332-639-881

E-mail: sales_uk@nikonmetrology.com

NIKON GMBH AUSTRIA

AUSTRIA phone: +43-1-972-6111-00 fax: +43-1-972-6111-40

NIKON BELUX

BELGIUM phone: +32-2-705-56-65 fax: +32-2-726-66-45

This brochure is printed on recycled paper made from 40% used material.



FPD/LSI Inspection Microscopes

ECLIPSE L300N/L300ND L200N/L200ND



With improved observation and operation, and environmentally friendlier, the four ECLIPSE models are ideally suited for inspection of large FPD/LSI.



For ø300mm wafer/Episcopic illumination type
ECLIPSE L300N



For 17-inch FPD/Episcopic and Diascopic illumination type
ECLIPSE L300ND



For ø200mm wafer/Episcopic illumination type
ECLIPSE L200N



For ø200mm wafer/Episcopic and Diascopic illumination type
ECLIPSE L200ND

Enhanced observation performance

Epi-fluorescence observation widens inspection range—including 365 nm UV excitation (L300N/L300ND/L200ND only) **NEW**

- Diascopic illumination capability and various observation methods such as brightfield, darkfield, simple polarizing and DIC. Epi-fluorescence observation, including 365 nm UV excitation, is also possible (L300N/L300ND/L200ND only).
- Highly beneficial in inspection of semiconductor resist residues and organic electroluminescence displays



Brightfield observation of wafer pattern



Darkfield observation



DIC observation



Epi-fluorescence observation of organic substance on wafer

Objective lens: CFI LU Plan Fluor 10x

Motorized mercury fiber illuminator Intensilight for Epi-fluorescence observation (L300N/L300ND/L200ND only)

- A motorized mercury precentered fiber illuminator is employed.
- Lamp centering and focus adjustment are not necessary, even after lamp replacement.
- The light source can be placed away from the microscope, reducing heat near the microscope and preventing defocusing.
- Variable light intensity and shutter control provide excellent flexibility.
- The lamp has an average lifespan of 2000 hours.



Combination with the L200ND

Four times brighter than conventional Diascopic observation (L300ND only)

- The L300ND employs a new light source and advanced optics to provide four times brighter illumination for Diascopic observation.

CFI60 optics offer long working distance and high NA

- Nikon's original CFI60 optics offer both image brightness through high NA and wider sample range and access with long WD.
- Provides clear, high-contrast brightfield images by minimizing flare.
- The "fly-eye" lens array, which provides uniform illumination throughout the visual field, is employed for darkfield illumination optics, allowing remarkably bright, high-resolution darkfield images.



CFI60 objective CF & IC objective



Fly-eye lens

Enhanced environmental consideration and operation

High-intensity 12V-50W halogen illuminator is brighter than that of a standard 12V-100W illuminator **NEW**

- Employs the LV-LH50PC precentered lamphouse, which offers greater brightness than that of a 12V-100W illuminator at half the power consumption. It is adequate for observation of semiconductors and LCDs.
- Incorporating a lamphouse rear mirror and optimizing the size of the lamp filament allows effective and uniform illumination on the pupil plane, critical in an optical system. Objectives with a magnification of 50x or higher benefit from an increased brightness of 20 percent compared to the standard 12V-100W illuminator.
- Features environmentally-friendly design and reduces thermal induced defocus.

Antistatic coatings for stronger safeguards against contamination **NEW**

- Antistatic coatings have been applied to the body, stage, eyepiece tube and other various controls. These coatings strengthen safeguards against contamination and help prevent damage to samples caused by electrostatic charges, thus contributing to higher yields.

Tilting trinocular eyepiece tube for observation at optimum eyepoint level

- Ultra-wide 25-mm field of view and eyepiece angle adjustment between 0° and 30°
- Allows operators to adjust eyepoint level to ensure a comfortable viewing position



Fixed-position X-Y fine movement control

- The X-Y fine movement control is positioned close to the operator.
- All controls are located near each other, allowing stage movements and focusing to be carried out with ease.



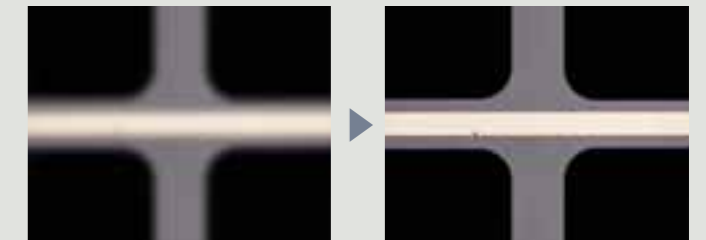
The X-Y fine movement controls are positioned close to the operator.

The motorized universal nosepiece is three times more durable than conventional models **NEW**

- Up to six objectives can be mounted.
- Centering mechanism is possible at three nosepiece positions (L300N/L300ND only)
- Improved centricity minimizes image shifting when the objective is changed, even with high magnification. This creates stable observations from high to low magnification.
- An anti-flash mechanism engages when the nosepiece is rotated, to protect the operator's eye.

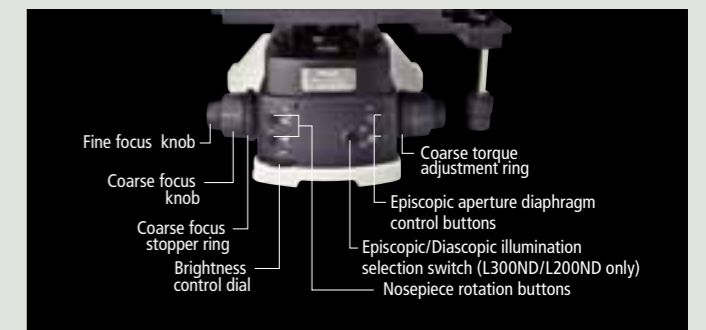
Target for easier focusing

- Inserting a focusing target in the optical path allows easy and accurate focusing on low-contrast samples, such as bare wafers.



Controls located at microscope front

- The main control knobs and buttons are located at the front of the microscope for easy access.
- Quick and easy microscope operation while viewing samples is possible.
- Minimizes fatigue during lengthy observations.



Fine focus knob
Coarse focus knob
Coarse focus stopper ring
Brightness control dial
Coarse torque adjustment ring
Episcopic aperture diaphragm control buttons
Episcopic/Diascopic illumination selection switch (L300ND/L200ND only)
Nosepiece rotation buttons

Improved functionality between the microscope and digital cameras provides ideal imaging

Optimized workflow observation, image capture and analysis

- Nikon's simultaneous development of microscopes, digital cameras and imaging software has enabled it to develop a highly functional easy-to-use digital imaging microscopy system.
- All aspects of image flow are supported, including setup for best viewing conditions, digital image capturing, processing and analysis.



Objective configuration/motorized nosepiece control

- Objective magnifications, which provide the most important information in measurement, can be saved, along with calibration configurations.
- When the objective magnification is changed, the appropriate spatial calibration data is automatically set. This prevents errors when changing scale size and configuration for measurement, and maximizes the digital camera's measurement performance.

Diascopic/Episcopic illumination switch, brightness control

- Illumination voltage, an important factor in observation, can be quantitatively configured.

Aperture diaphragm control

- Aperture diaphragm can be controlled from a PC.

NIS-Elements operational panel (monitor images are simulated.)

Camera Heads can be selected depending on use



High-definition cooled color camera head
DS-Ri1
2/3-inch 12.7-megapixel CCD



High-definition color camera head
DS-Fi1
2/3-inch 5.0-megapixel color CCD



High-speed color camera head
DS-Vi1
1/1.8-inch 2.0-megapixel color CCD

Camera control unit DS-U2

- Operations, from advanced image capture to image processing and analysis, are all controlled from a PC.
- Control of the camera, peripherals and microscope are all integrated within NIS-Elements imaging software.
- Easy USB connection offers high-speed data transfer.



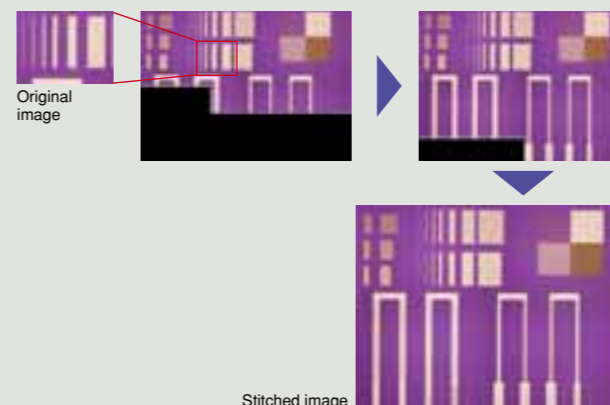
Imaging software for high-quality image acquisition, processing and analysis, NIS-Elements

Interactive measurement

NIS-Elements offers diverse measurement parameters, such as distance, area, radius and angle profile. Results can be saved as an Excel file.

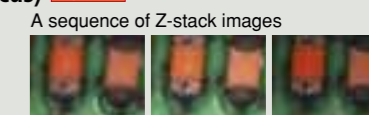
Large image stitching

Composition of large-area images with high magnification is possible by stitching adjacent ultra high-resolution images.



EDF (Extended Depth of Focus) Option

Images that have been captured at different points along the Z-axis can be combined to create an all-in-focus image and a virtual 3D image.



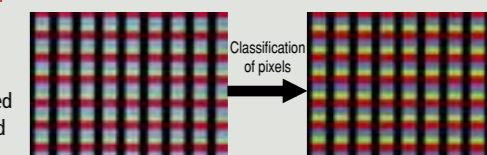
Automatic measurement Option

Some 80 different object and field features—length, area, density, RGB values, etc—can be measured automatically.



Classifier Option

The classifier allows segmentation of the image pixels according to different user-defined conditions and is based on different pixel features such as intensity values, RGB values, HSI values or HS values.



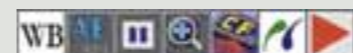
Camera control unit DS-L2

- With a large, built-in, high-definition, 8.4-inch LCD monitor, the DS-L2 eliminates the necessity for a PC connection.
- With a simple click of an icon, Scene mode automatically sets the optimal imaging parameters for the chosen observation method.
- With data-rich interfaces such as USB and LAN, images can be shared over a network.



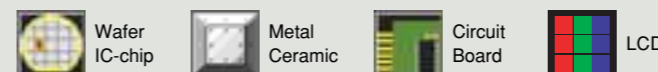
Easy-to-use shortcut menu

Frequently used functions can be displayed as buttons. They can be utilized without impeding the display of captured images. It is also possible to customize the buttons.



Scene mode provides optimal photography with ease

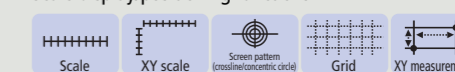
Optimal imaging parameters are preset for different sample types. Up to seven custom modes can be set.



Various measurement/positioning functions

Calibration of reference length (up to seven can be registered), allows easy measuring and positioning.

Scale display/positioning functions



Measurement functions



For LSI inspection

Wafer loaders NWL200 series

In combination with the ECLIPSE L200N, the NWL200 meets the requirements for inspection of the latest wafers.

Nikon's outstanding proprietary technology ensures reliable loading of ultra-thin 100 μm wafers.

Support for ultra-thin 100 μm wafers

- Nikon's new chuck system allows reliable loading of ultra-thin 100 μm wafers.
- In combination with the ECLIPSE L200N, the NWL200 series provides levels of safety and reliability that meet all requirements for inspection of the latest wafers.

Improved wafer-sensing functions

- With optimal arrangement of the wafer sensor beams, accurate detection of wafer distortion is possible.

The wafer-slot buttons offer improved operability

- The wafer-slot buttons allow operators to select any wafer from its slot with a single button.
- The large LCD panel allows operators to set conditions such as sampling and inspection patterns, and to check the operating status and content of errors at a glance.
- The screens are arranged in a hierarchical structure with one screen for each task, resulting in an intuitive dialogue for smooth progress through the steps.
- A comprehensive suite of file management functions for carriers, samples, etc is useful for automating inspections.

High throughput

- The exceptionally fast elevator, the quick and accurate alignment by non-contact centering mechanism, and the loading and unloading of wafers with complete precision by the multi-arm system all contribute to an efficient wafer transfer and exchange.
- Cycle time has been dramatically reduced, enabling a higher throughput than the previous model.



Remote access tool

- Because the loader is equipped with a Web server function, connecting a PC to a LAN makes it easy to create inspection recipes and backup data from a PC.
- Recipe preparation support functions
A Web browser wizard guides the operator through the steps, which are reflected in the NWL200, enabling the preparation of optimal recipes safely and simply, while checking the status of the wafers.
- Equipment maintenance
Inspection recipes can be easily backed up and restored.

Accessories

Objectives

Model	Magnification	NA	Working Distance (mm)
CFI L Plan EPI	1x*	0.03	3.8
	2.5xA	0.075	8.8
	40x	0.65	1.0
CFI LU Plan Fluor EPI	5x	0.15	23.5
	10x	0.30	17.5
	20x	0.45	4.5
CFI LU Plan Apo EPI	50x	0.80	1.0
	100xA	0.90	1.0
	150x	0.95	0.4
CFI LU Plan EPI ELWD	20xA	0.40	13.0
	50xA	0.55	10.1
	100xA	0.80	3.5
CFI L Plan EPI SLWD	20xA	0.35	24.0
	50xA	0.45	17.0
	100xA	0.70	6.5
CFI LU Plan Apo EPI	100x	0.95	0.4
	150x	0.95	0.3
	100x	0.95	0.3
CFI LU Plan Fluor BD	5x	0.15	18.0
	10x	0.30	15.0
	20x	0.45	4.5
CFI LU Plan Apo BD	50x	0.80	1.0
	100xA	0.90	1.0
	150x	0.90	0.4
CFI LU Plan BD ELWD	20xA	0.40	13.0
	50xA	0.55	9.8
	100xA	0.80	3.5
CFI LU Plan Apo BD	100x	0.90	0.51
	150x	0.90	0.4

*Requires use of polarizer/analyzer.

With correction mechanism

CFI L Plan EPI CR series

Model	Magnification	NA	Working Distance (mm)	Glass Thickness Correction Range (mm)
CFI L Plan EPI CR	20x	0.45	10.9-10.0	0-1.2
CFI L Plan EPI CR	50x	0.7	3.9-3.0	0-1.2
CFI L Plan EPI CRA	100x	0.85	1.2-0.85	0-0.7
CFI L Plan EPI CRB	100x	0.85	1.3-0.95	0.6-1.3



Without correction

With correction at 0.7 mm

Fluorescence filter blocks (L300N/L300ND/L200ND only)

- C-FL UV-2A
- C-FL B-2A
- C-FL V-2A
- C-FL G-2A
- C-FL BV-2A



*Only one cube is attachable.

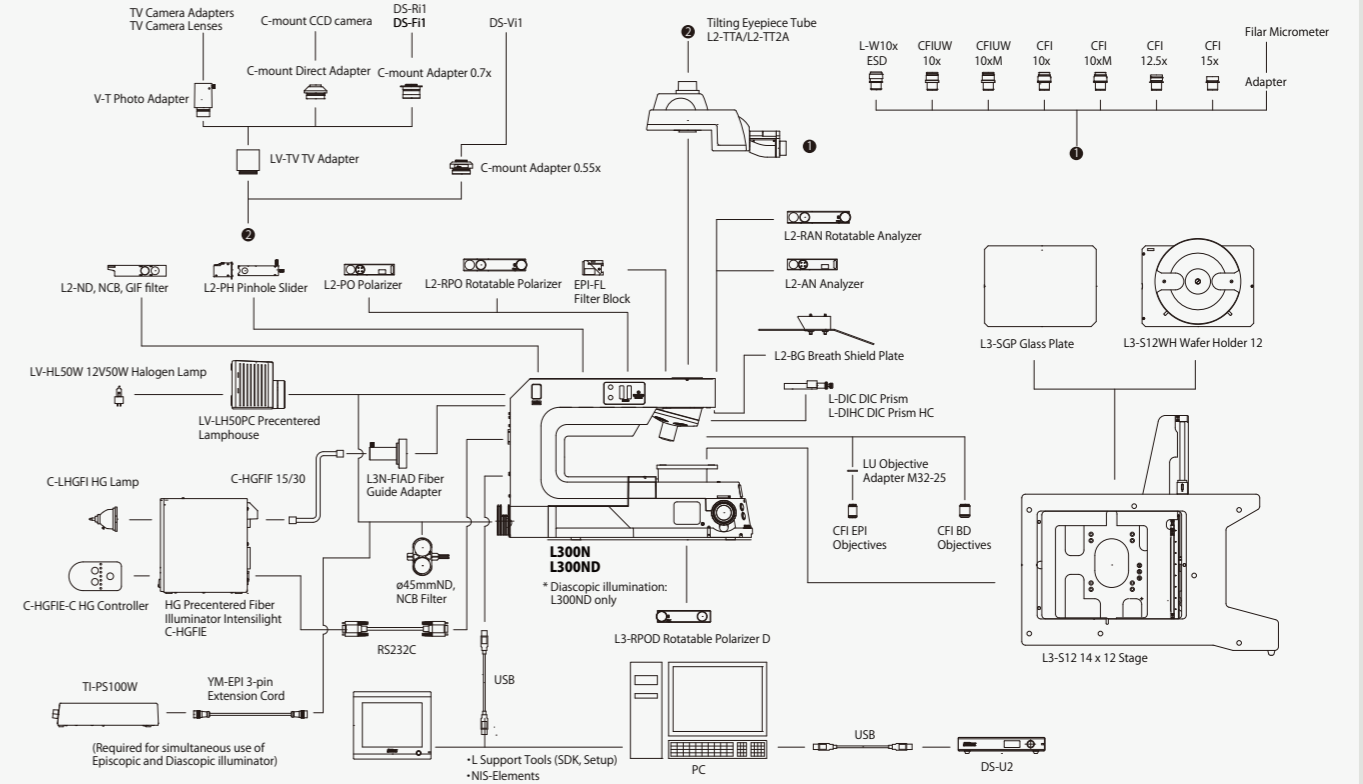


Brightfield

Epi-fluorescence UV-2A

System diagram

ECLIPSE L300N/L300ND



ECLIPSE L200N/L200ND

